

YACHT SUB - (SPORTSUB III SS)

SPORTSUB III SS:

Designed specifically for the adventurous yacht owner and equipped with our latest technology. The SportSub III SS model fits 3 people, is light weight, easy to operate, very affordable and the safest personal submarine on the market today.

It is equipped with fly-by-wire joy stick, 24 Volt Computer Controlled Depth System (includes Auto-Hover), Auto-Hover control panel assembly, EBC (Electronic Buoyancy Control) and Auto-Target add-on for Auto-Hover Control System.

Launch and recovery is simple with a 2000lb / 1000kg capacity davit and the foot print is very small at only 4 sq metres.

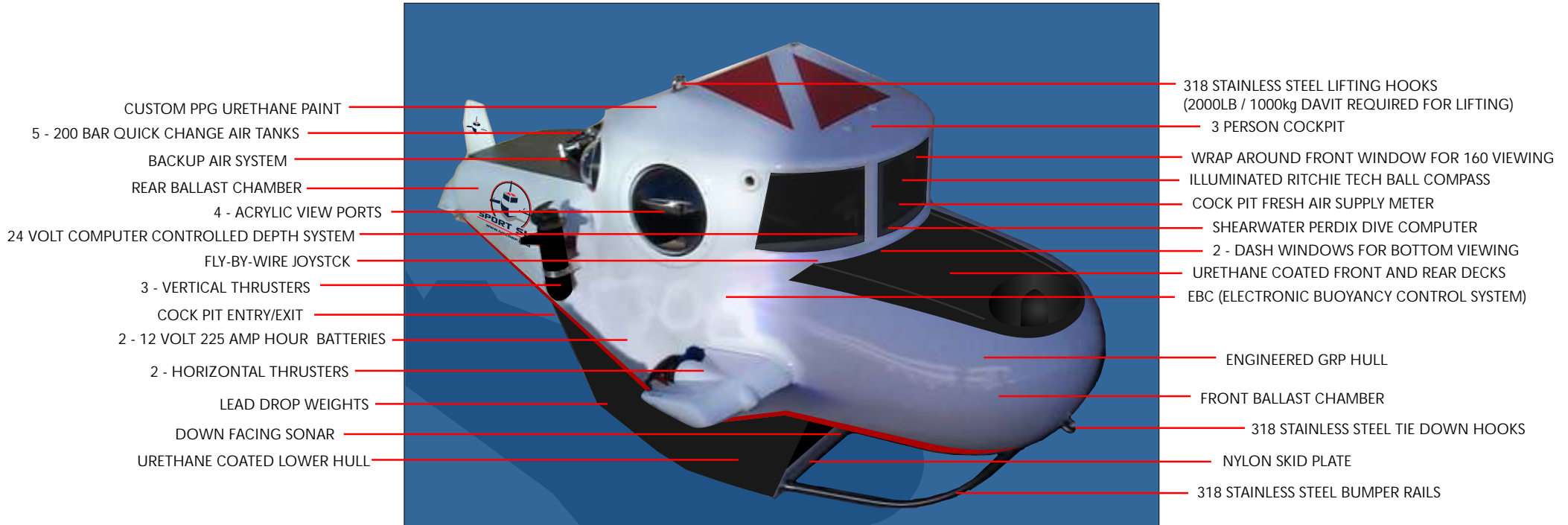
The included fully automatic charger maintains the 24 volt batteries for a full day of diving. The air supply comes from standard 200bar scuba tanks (5 included) and can be changed out in minutes for your next adventure.

As a trained pilot you will give your guests and yourself an experience of a lifetime.

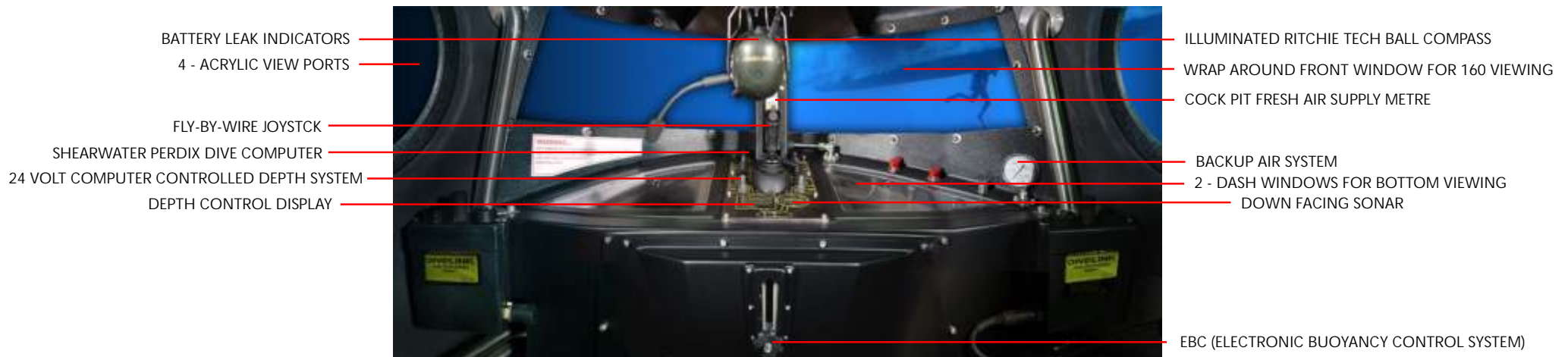


YACHT SUB - (SPORTSUB III SS)

EXTERIOR VIEW

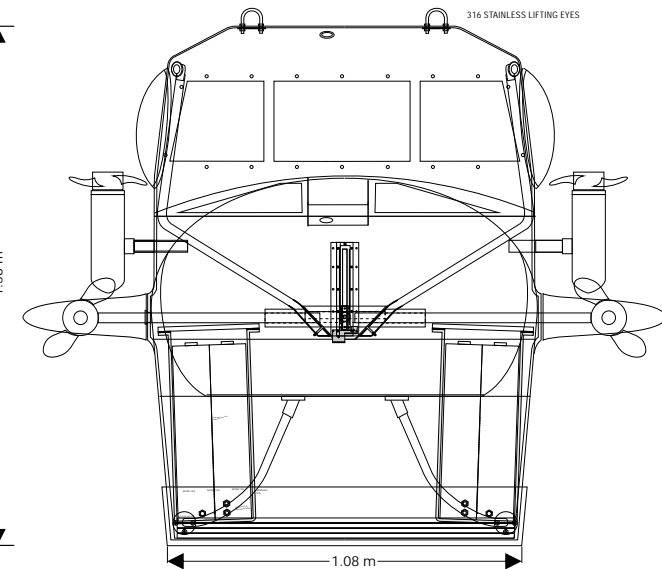
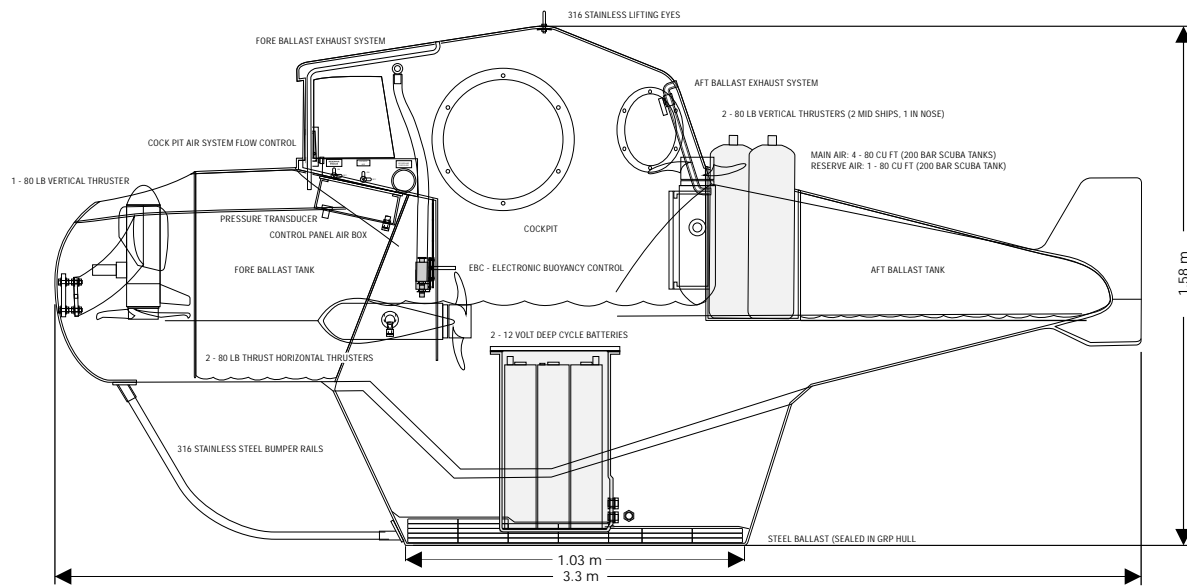
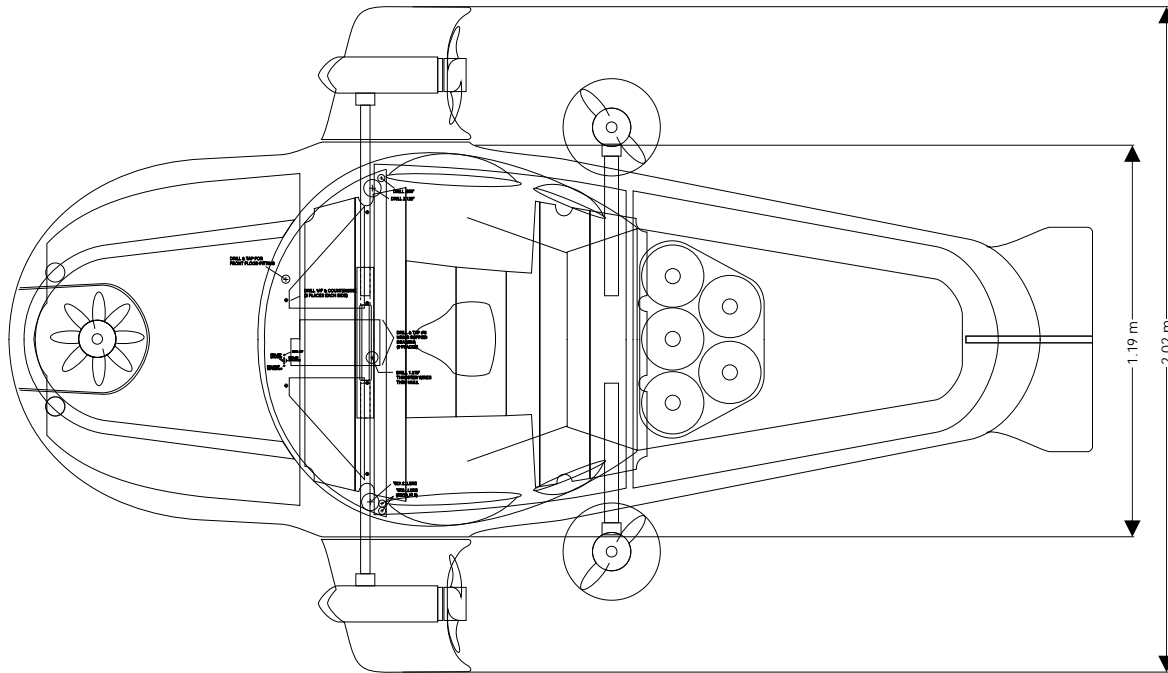


COCKPIT VIEW



YACHT SUB - (SPORTSUB III SS)

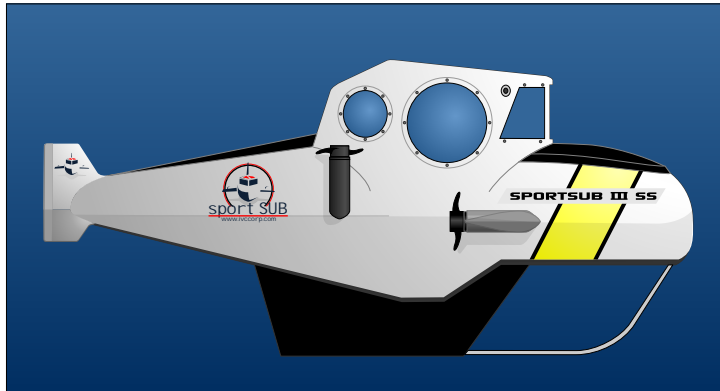
3 View dimensional drawing



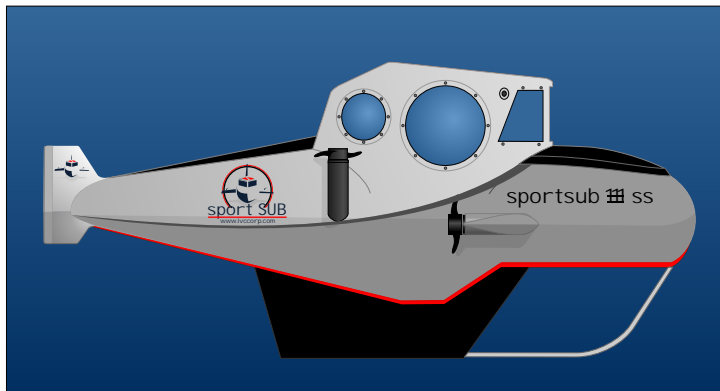
YACHT SUB - (SPORTSUB III SS)

Example Paint Options and Graphics Designs - Have our graphics team design a custom paint job for your sub (Included in costs)

- Base Colour: Light Grey Metallic (Top) Dark Grey Metallic (Bottom)
- Lower Hull: Protective Black Urethane Textured Coating
- Back Deck/Front Deck: Protective Black Urethane Textured Coating
- Graphics: Bright Red Vinyl Stripe, Dark Grey Vinyl Stripe, Matte Black Model Identification, Bright Red Dive Flag and Logos



- Base Colour: Light Grey Metallic (Top) Dark Grey Metallic (Bottom)
- Lower Hull: Protective Black Urethane Textured Coating
- Back Deck/Front Deck: Protective Black Urethane Textured Coating
- Graphics: Bright Red Vinyl Stripe, Dark Grey Vinyl Stripe, Matte Black Model Identification, Bright Red Dive Flag and Logos



All colours to be chosen based on PPG Evolution paint chart.
Paint is single stage polyurethane
Vinyl graphics are Avery high performance vinyl (9 Year warranty)



YACHT SUB - (SPORTSUB III SS)

Frequently Asked Questions

Questions:

- How much do your subs cost?
- Do your subs come with a warranty?
- Do you have to have special training to operate your subs?
- What , if any, special skills or certifications do you need to pilot your subs?
- Does your company offer training?
- How many people can your subs carry?
- How heavy are your subs?
- Can you lift the subs with a crane?
- How can you launch & recover your subs from the water?
- Can you put your subs on a yacht?
- How deep can your subs dive?
- How long can you stay submerged?
- What is the operating cost of your subs?
- What is the maintenance cost?
- Can anyone do the maintenance to the sub?
- Do your subs require certification or inspection every year?
- Can you get insurance for your subs?
- Can you arrange shipping for my SportSub?
- Are there any special government regulations to operate your subs?
- Are there any special government regulations for importing a sub?
- Have you sold your subs world wide?
- Do you offer support for your subs?

- Do you offer maintenance/service for your subs?
- Do you consult on submarine tourist operations/logistics?
- Can you tow the sub behind your car on a trailer?

Answers:

- An entry level SportSub starts at \$65,000 USD
- Yes, please contact us for warranty information
- A SportSub is fairly easy to function, and we offer comprehensive training in the operation of our subs
- Pilots must be certified open water divers in order to operate our submarines
- Yes we do, please see our pricing page for more information
- Our submarines carry 3 people
- 1750 lb. dry (800kg)
- Yes, our submarines are standard equipped with 2 stainless lifting eyes on the roof
- There are many ways to launch and recover our subs but the common ways are trailer, boat or boat lift
- Yes, we have many satisfied yacht owners who have our subs on their yachts
- Our subs are rated for 130 feet (40 Metres)
- The length of the dive is dependant on depth and air supply, with a maximum dive time of about 2 hours
- Other than the air tanks needing to be refilled and the batteries recharged, there is no cost
- Maintenance cost will be dictated by proper daily maintenance and usage
- Yes, our subs are easy to maintain and anyone with basic mechanical knowledge can perform maintenance
- No, because our submarines use ambient pressure hulls, there is no requirement for ABS or other expensive certification
- Yes, insurance is available through Offshore Risk Management (Lloyd's of London)
- Yes, we can ship your SportSub anywhere in the world by either ocean or air freight
- Every country has it's own regulations and you will need to check with your local authorities.
- When making inquiries, refer to the SportSub as an 'autonomous diving bell' or 'scuba dive puller'
- Yes, we have sold subs to people in almost every country in the world
- Yes, we have a complete support system including daily, monthly, and annual checks and maintenance to make sure your sub is in good working condition
- Yes, through our service staff, or we can provide maintenance/service material for a local mechanic or yacht engineer
- Yes, we can provide dive site and operational inspections and recommendations
- Yes, we can supply you a specially built trailer or we can give you directions for building your own

YACHT SUB - (SPORTSUB III SS)

Terms and Pricing

Pricing	Description
\$65,000.00	SportSub - 3 person submarine (Entry level submarine without autohover system)
\$75,000.00	ResortSub- 3 person commercial grade submarine built for the demands of everyday operations - comes with 24 Volt Computer Controlled Depth System (includes Auto Hover), Auto-Hover Control Panel Assembly, down facing SONAR, 5 - 200 Bar quick change air tanks, 3 - Vertical Thrusters, custom logos and graphics, Urethane coated front and rear decks, Urethane coated lower hull, complete owners and maintenance manuals.
\$87,000.00	YachtSub (SportSub III SS) - 3 person submarine built for the demands of the yacht owner - comes with 24 Volt Computer Controlled Depth System (includes Auto-Hover), Auto-Hover Control Panel Assembly, Auto-Target add-on for Auto-Hover Control System, down facing SONAR, Shearwater Perdix dive computer, 5 - 200 Bar quick change air tanks, 3 - Vertical Thrusters, custom logos and graphics, custom PPG Urethane paint, Urethane coated front and rear decks, Urethane coated lower hull, complete owners and maintenance manuals.
\$370,000.00	ResortSub DA - All-dry ResortSub with top hatch entry (Please contact us for more info)

Terms and Conditions

- * All of our submarine models are built to order and delivery about 12 weeks after receipt of deposit
- * All submarines are ex-works Vancouver, B.C., Canada. Crating, freight, insurance, duties, and taxes are extra (if applicable)
- * Payment is to be made by Wire Transfer. All payments must be in US dollars. All sales are final.



General Inquiries:
info@ivccorp.com

Sales:
Ron Leonard: sales@ivccorp.com

CEO:
Ron Leonard: ron@ivccorp.com

Fabrication and Assembly Shop Address:
58 Glacier Street Coquitlam B.C. Canada

Production Manager:
Rob Shantz: rob@ivccorp.com

Service:
Dewey Van Randen: dewey@ivccorp.com

Administration:
Ann Simser: ann@ivccorp.com

Mailing and Administration Address:
Coming Soon