

resort SUB

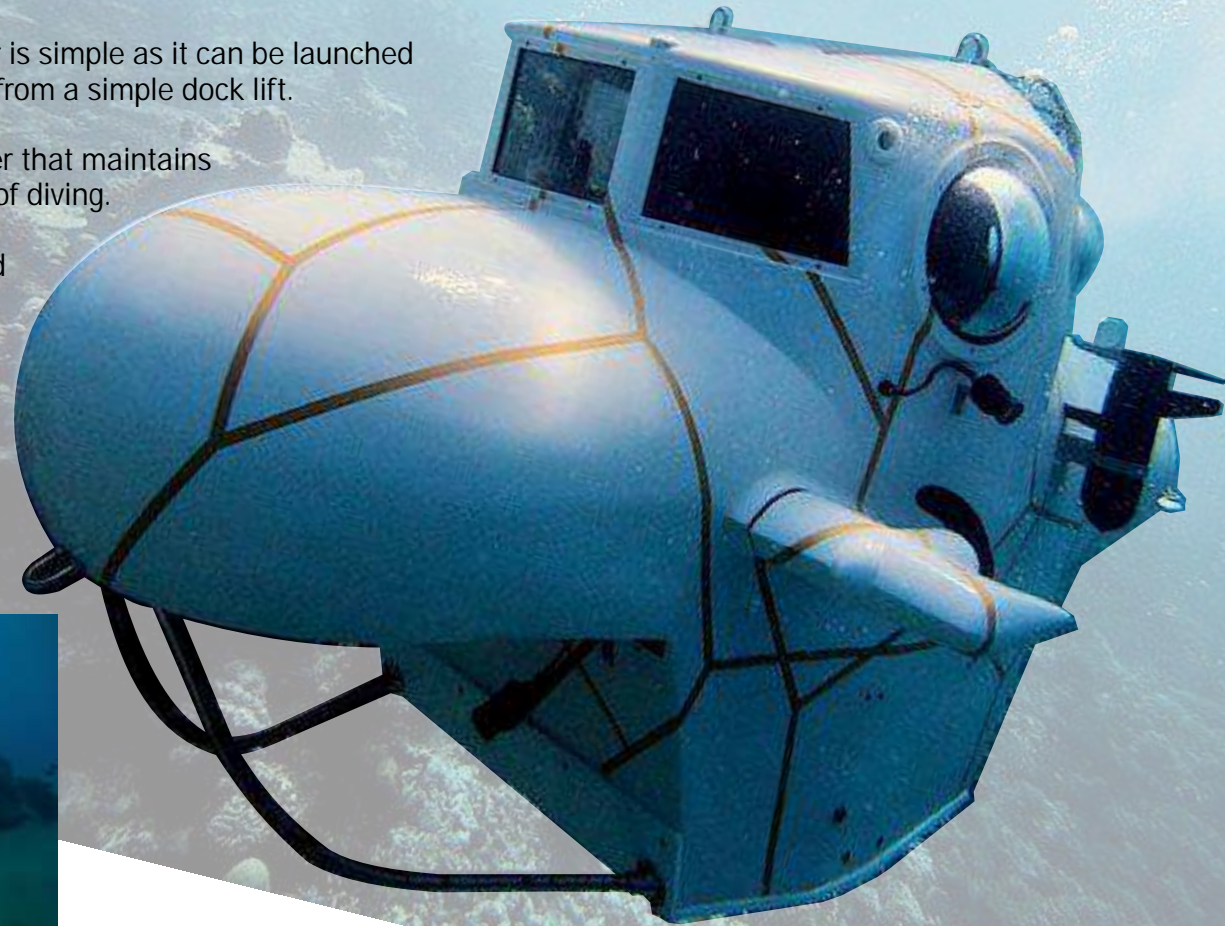
RESORTSUB:

Designed specifically for the resort looking to have a unique marketing advantage and an experience for your guest that will be talked about forever. The ResortSub model is our 3 person shallow water submarine that is the least expensive to operate, easiest to pilot and the safest submarine on the market today. It is equipped with fly by wire joy stick, computer controlled depth system, EBC (Electronic Buoyancy Control) and Auto Hover Control Panel Assembly.

Getting the ResortSub in and out of the water is simple as it can be launched and recovered with a trailer, from a beach or from a simple dock lift.

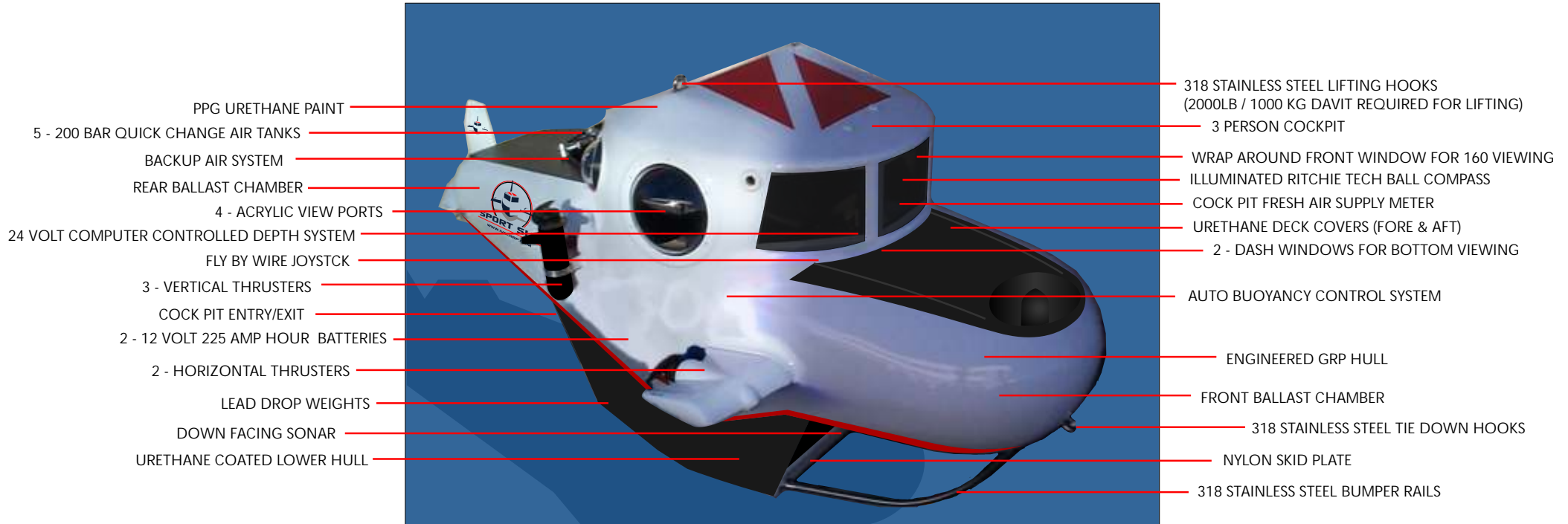
It comes with a fully automatic marine charger that maintains the 24 volt deep cycle batteries for a full day of diving. The air supply comes from standard 200bar scuba tanks (5 included) and can be changed out in minutes for the next excursion.

With your trained submarine pilot at the controls, your guests will have an experience of a lifetime.

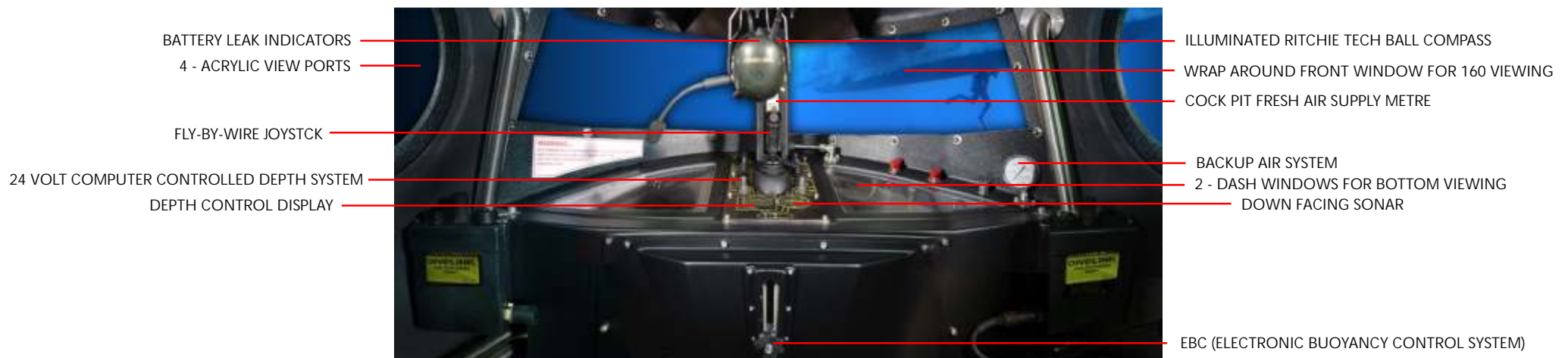


resort SUB

EXTERIOR VIEW

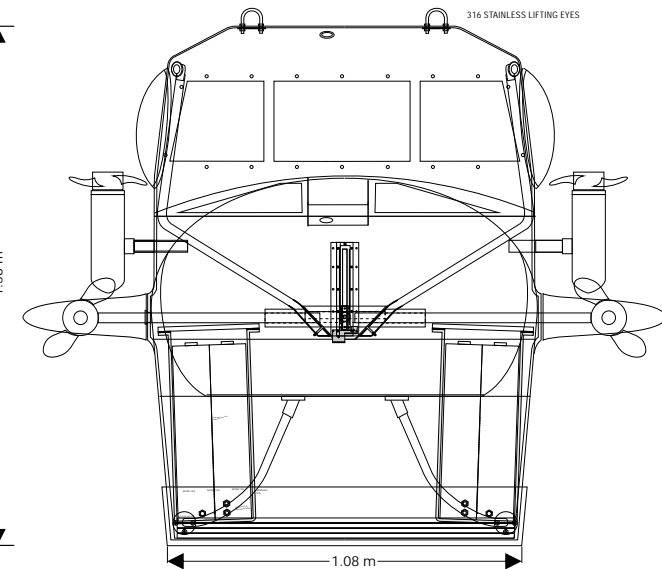
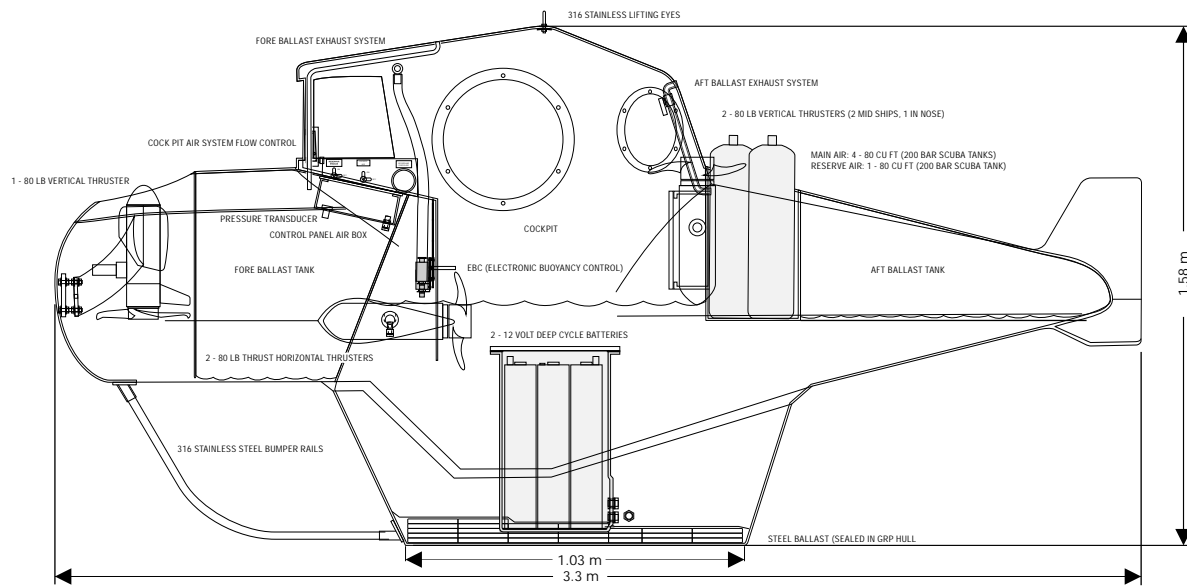
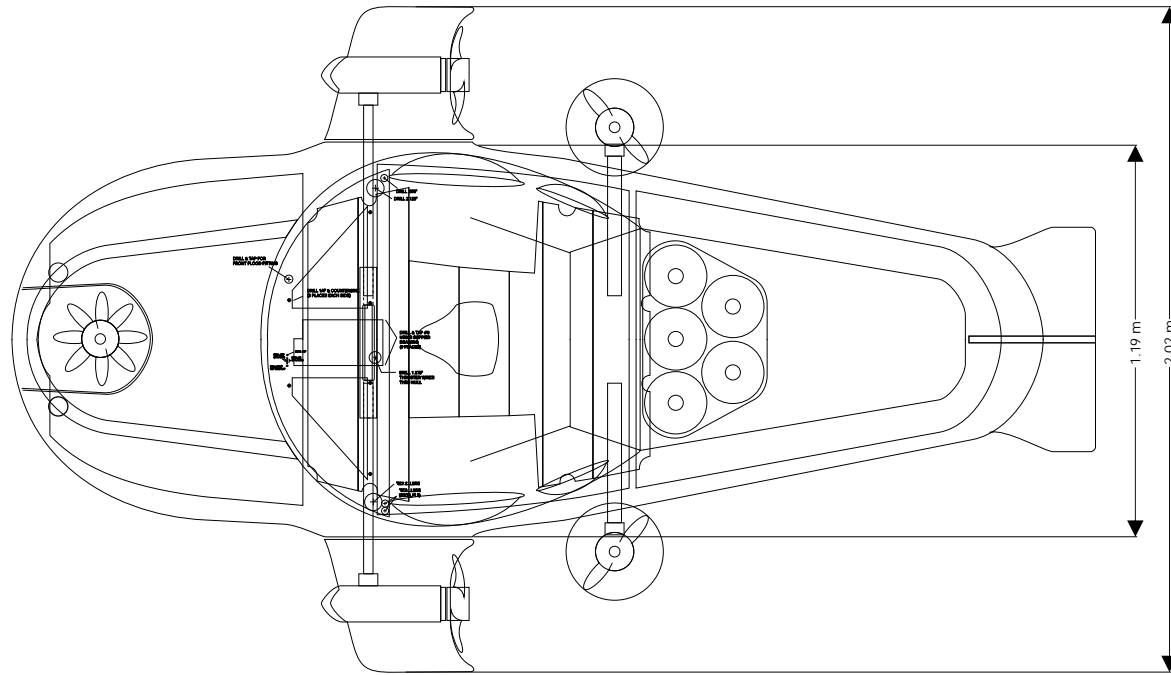


COCKPIT VIEW



resort SUB

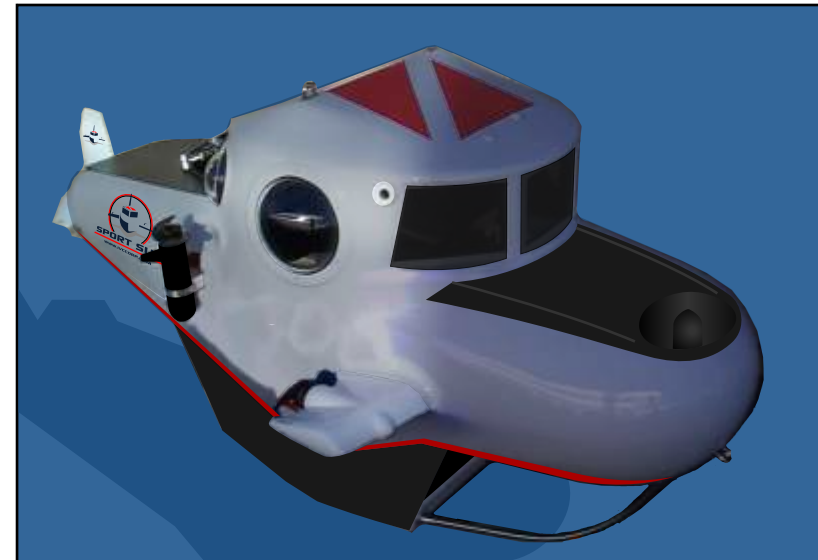
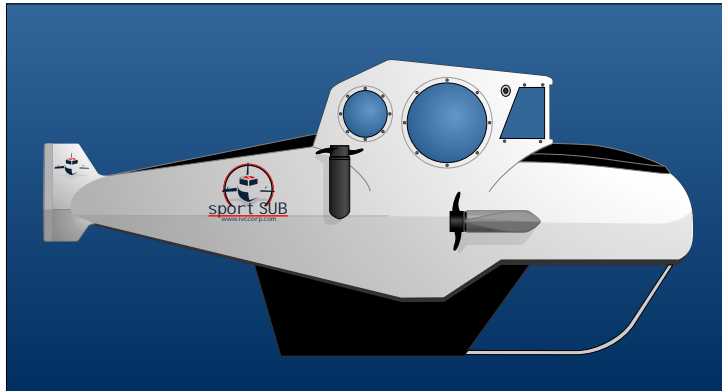
3 View dimensional drawing



resort SUB

Example Graphics Designs - Have our graphics team design a custom graphics package for resort (Included in costs)

- Base Colour: Light Grey Metallic (Top) Dark Grey Metallic (Bottom)
- Lower Hull: Protective Black Urethane Textured Coating
- Back Deck/Front Deck: Protective Black Urethane Textured Coating
- Graphics: Bright Red Vinyl Stripe, Dark Grey Vinyl Stripe, Matte Black Model Identification, Bright Red Dive Flag and Logos



All colours to be chosen based on PPG Evolution paint chart.
Paint is single stage polyurethane
Vinyl graphics are Avery high performance vinyl (9 Year warranty)



resort SUB

Frequently Asked Questions

Questions:

- How much do your subs cost?
- Do your subs come with a warranty?
- Do you have to have special training to operate your subs?
- What , if any, special skills or certifications do you need to pilot your subs?
- Does your company offer training?
- How many people can your subs carry?
- How heavy are your subs?
- Can you lift the subs with a crane?
- How can you launch & recover your subs from the water?
- Can you put your subs on a yacht?
- How deep can your subs dive?
- How long can you stay submerged?
- What is the operating cost of your subs?
- What is the maintenance cost?
- Can anyone do the maintenance to the sub?
- Do your subs require certification or inspection every year?
- Can you get insurance for your subs?
- Can you arrange shipping for my SportSub?
- Are there any special government regulations to operate your subs?
- Are there any special government regulations for importing a sub?
- Have you sold your subs world wide?
- Do you offer support for your subs?

- Do you offer maintenance/service for your subs?
- Do you consult on submarine tourist operations/logistics?
- Can you tow the sub behind your car on a trailer?

Answers:

- An entry level SportSub starts at \$65,000 USD
- Yes, please contact us for more information
- A SportSub is fairly easy to function, and we offer comprehensive training in the operation of our subs
- Pilots must be certified open water divers in order to operate our submarines
- Yes we do, please see our pricing page for more information
- Our submarines carry 3 people
- 1750 lb. dry (800kg)
- Yes, our submarines are standard equipped with 2 stainless lifting eyes on the roof
- There are many ways to launch and recover our subs but the common ways are trailer, boat or boat lift.
- Yes, we have many satisfied yacht owners who have our subs on their yachts
- Our subs are rated for 130 feet (40 Metres)
- The length of the dive is dependant on depth and air supply, with a maximum dive time of about 2 hours
- Other than the air tanks needing to be refilled and the batteries recharged, there is no cost.
- Maintenance cost will be dictated by proper daily maintenance and usage.
- Yes, our subs are easy to maintain and anyone with basic mechanical knowledge can perform maintenance
- No, because our submarines use ambient pressure hulls, there is no requirement for ABS or other expensive certification.
- Yes, insurance is available through Offshore Risk Management (Lloyd's of London)
- Yes, we can ship your SportSub anywhere in the world by either ocean or air freight
- Every country has it's own regulations and you will need to check with your local authorities.
- When making inquiries, refer to the SportSub as an 'autonomous diving bell' or 'scuba dive puller'
- Yes, we have sold subs to people in almost every country in the world
- Yes, we have a complete support system including daily, monthly, and annual checks and maintenance to make sure your sub is in good working condition
- Yes, through our service staff, or we can provide maintenance/service material for a local mechanic or yacht engineer
- Yes, we can provide dive site and operational inspections and recommendations
- Yes, we can supply you a specially built trailer or we can give you directions for building your own

Pricing	Description
\$65,000.00	SportSub - 3 person submarine (Entry level submarine without Auto-Hover system)
\$75,000.00	ResortSub- 3 person commercial grade submarine built for the demands of everyday operations - comes with 24 Volt Computer Controlled Depth System (includes Auto Hover), Auto-Hover Control Panel Assembly, down facing SONAR, 5 - 200 Bar quick change air tanks, 3 - Vertical Thrusters, custom logos and graphics, Urethane coated front and rear decks, Urethane coated lower hull, complete owners and maintenance manuals.
\$87,000.00	YachtSub (SportSub III SS) - 3 person submarine built for the demands of the yacht owner - comes with 24 Volt Computer Controlled Depth System (includes Auto-Hover), Auto-Hover Control Panel Assembly, Auto-Target add-on for Auto-Hover Control System, down facing SONAR, Shearwater Perdix dive computer, 5 - 200 Bar quick change air tanks, 3 - Vertical Thrusters, custom logos and graphics, custom PPG Urethane paint, Urethane coated front and rear decks, Urethane coated lower hull, complete owners and maintenance manuals.
\$370,000.00	ResortSub DA - All-dry ResortSub with top hatch entry (Please contact us for more info)

Terms and Conditions

- * All of our submarine models are built to order and delivery about 12 weeks after receipt of deposit
- * All submarines are ex-works Vancouver, B.C., Canada. Crating, freight, insurance, duties, and taxes are extra (if applicable)
- * Payment is to be made by Wire Transfer. All payments must be in US dollars. All sales are final.



General Inquiries:
info@ivccorp.com

Sales:
Ron Leonard: sales@ivccorp.com

CEO:
Ron Leonard: ron@ivccorp.com

Fabrication and Assembly Shop Address:
58 Glacier Street Coquitlam B.C. Canada

Production Manager:
Rob Shantz: rob@ivccorp.com

Service:
Dewey Van Randen: dewey@ivccorp.com

Administration:
Ann Simser: ann@ivccorp.com

Mailing and Administration Address:
Coming Soon